

SIGNAL LINES

() indicates Pin No. of right channel.		

M38B57MCA242 (80p) M38B57M6154F (80p) CS4226-KQG (44p)	RSN313H25-P	BA6218	TC9459F	AN6558F NJM2115D NJM4580DD NJM4580EDTE1	BU2090A NJM2296D
NJM2279D	TC9162AN TC9163AN	PQ30RV11	CS49326-CLR	SNAHC1U04DBV	SN74LV244APW (20p) SN74HCT244PW (20p) SN74HCU04APW (8p)
2SA1534AQRTA 2SC3940AQSTA	2SD1915FTA	2SK2880CTA	2SB1548PQAU 2SD2374PQAU	2SB621AQSTA 2SC1845FTA	DTA114YETL
2SA933SSSTA 2SC1740SSSTA RVDTA113ZST RVDTA113ZST RVDTA114EST RVDTA114EST RVDTA114YST RVDTA114YST RVDTA143XST	RVDTA143XST RVDTA114YST	2SD2137PQTA	1N5402BM21 RK306LFU1	SLR325MCT31 SLR325YCT31 SLR325VCT31	RB721Q40T77
MTZJ10CTA MTZJ16CTA MTZJ27DTA MTZJ30BTA MTZJ3R0BTA MTZJ3R3ATA MTZJ3R9ATA MTZJ5R1BTA	RVDTA143XST RVDTA114YST	1SR35400V	1N5402BM21 RK306LFU1	SLR325MCT31 SLR325YCT31 SLR325VCT31	RB721Q40T77
MTZJ5R6BTA MTZJ6R2BTA MTZJ6R2CTA MTZJ6R8BTA MTZJ7R5CTA MTZJ8R2CTA 1SS291TA RVD1SS133TA	RVDTA143XST RVDTA114YST	1SR35400V	1N5402BM21 RK306LFU1	SLR325MCT31 SLR325YCT31 SLR325VCT31	RB721Q40T77

A

B

C

D

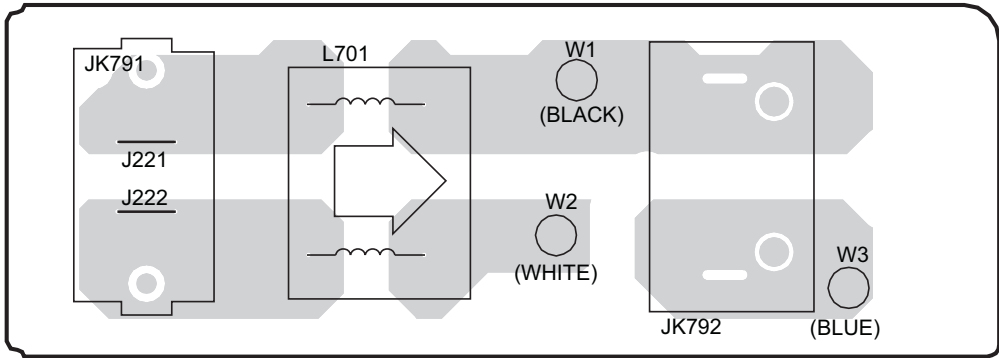
E


F

G

1

Q AC IN/OUT P.C.B. (REP3021B-P)



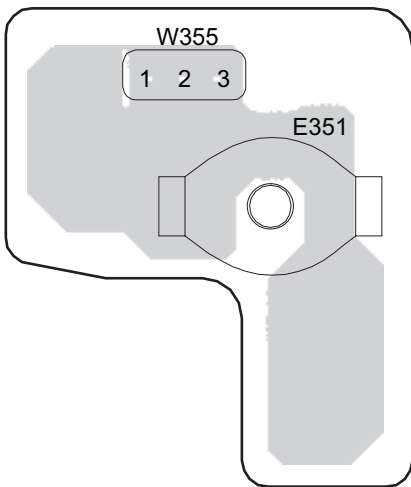
AC IN 
120V-60HZ

AC OUTLET

4

5

U EARTH TERMINAL P.C.B. (REP3020B-S)



6

7

8

9

G

H

I

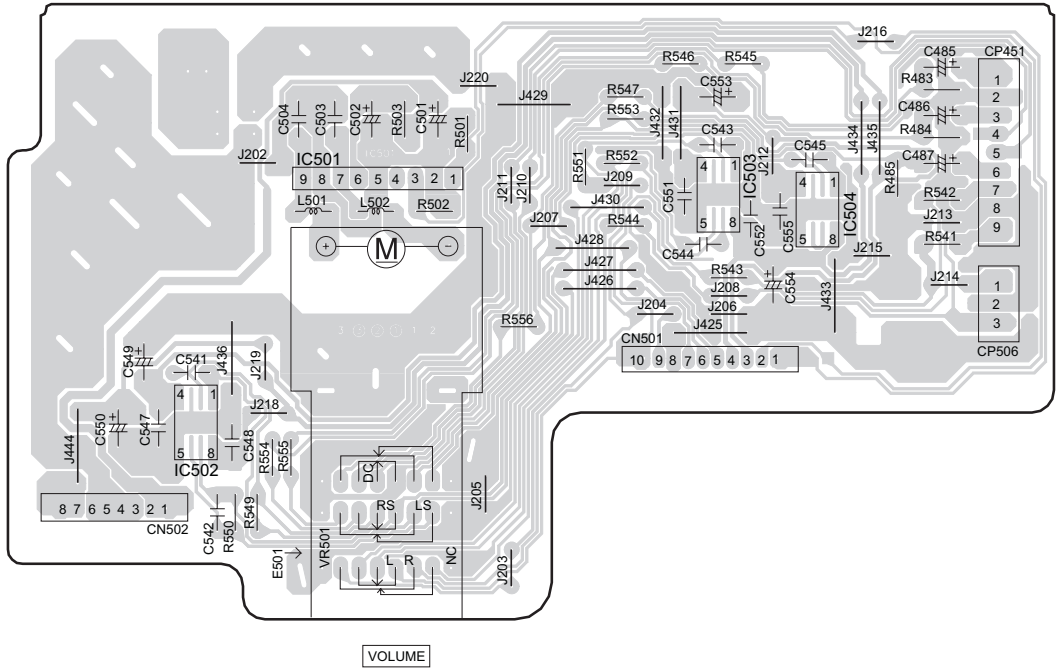
J

K

L

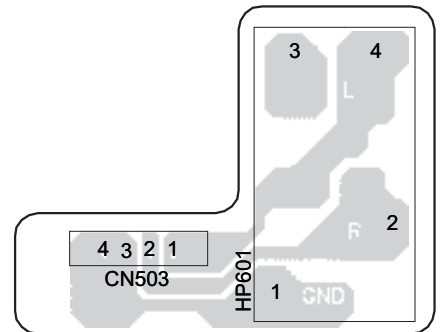
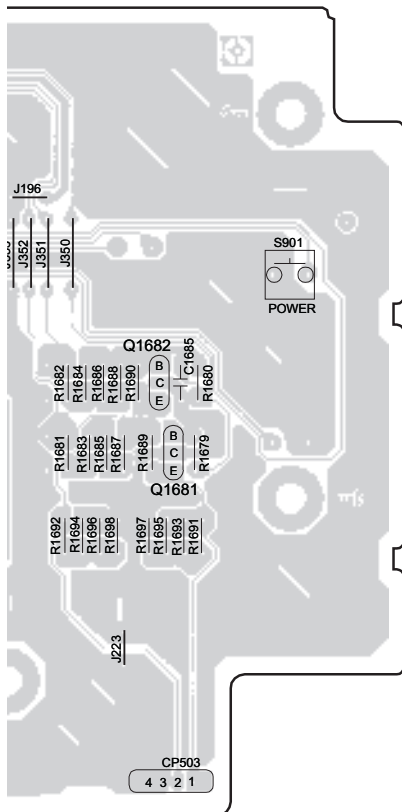
M

I VOLUME P.C.B. (REP3021B-P)



VOLUME

J HEADPHONES P.C.B. (REP3020B-S)



HEADPHONES

A

B

C

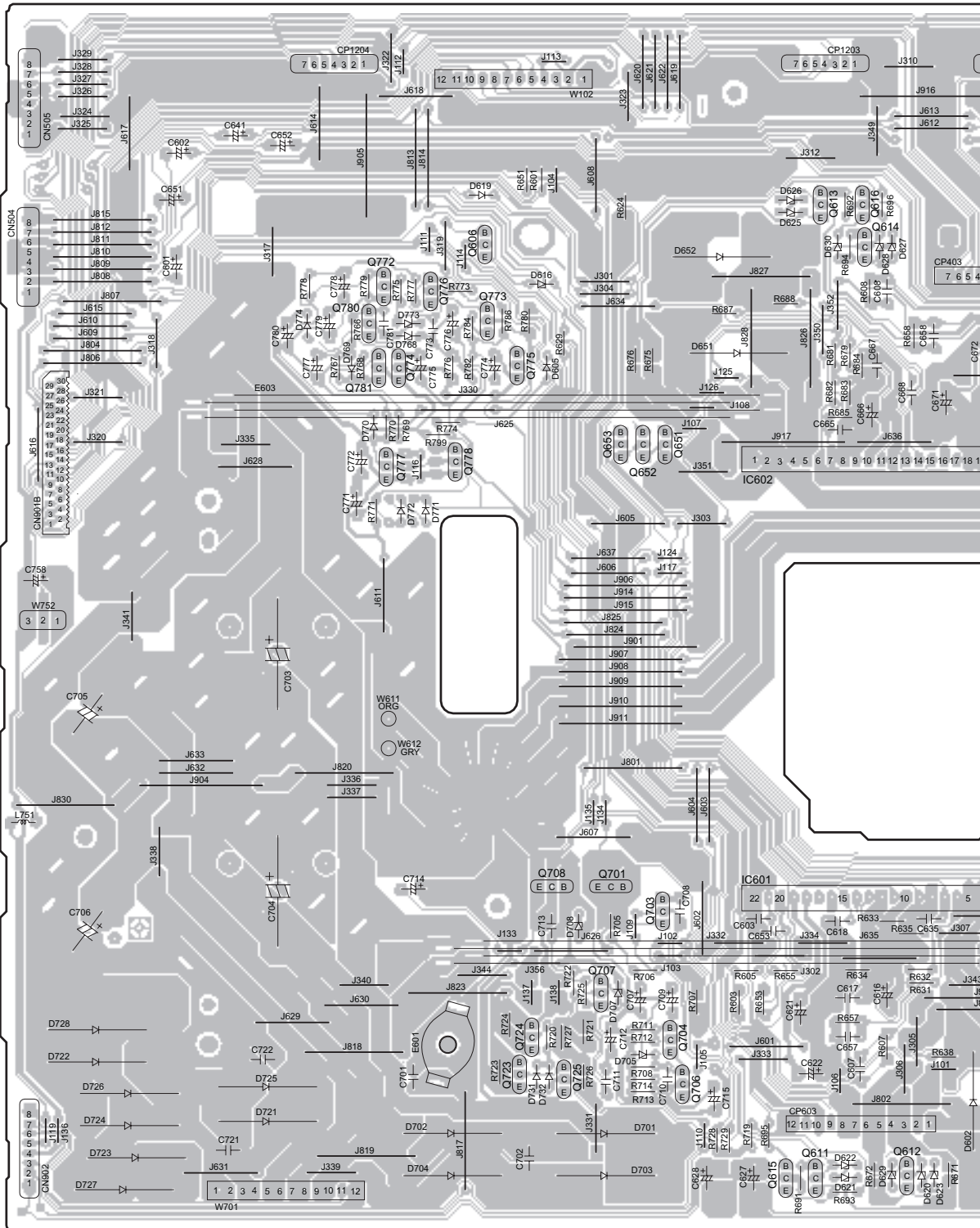
D

E

F

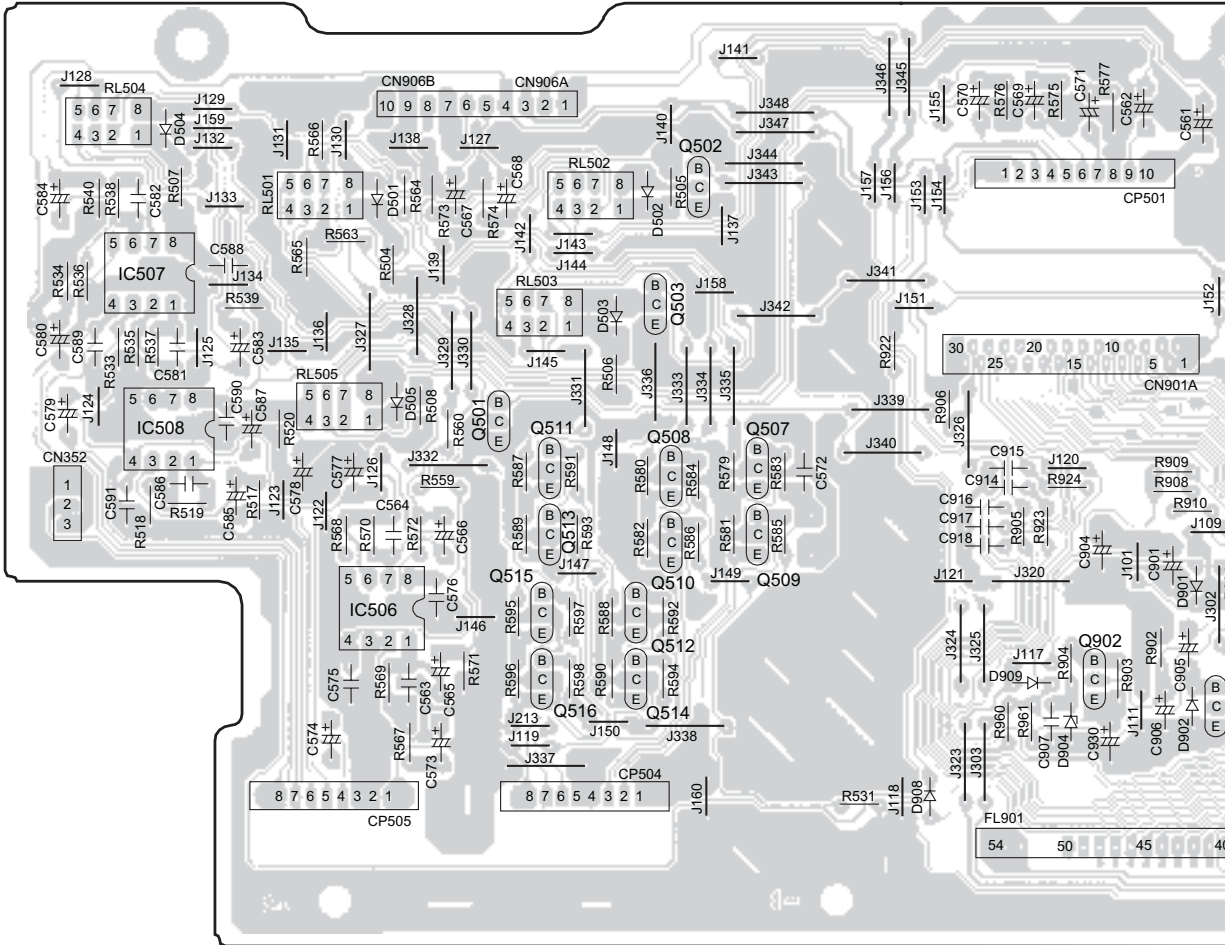
G

D MAIN P.C.B. (REP3019B-M)



A B C D E F G

C PANEL P.C.B. (REP3020B-S)



G

H

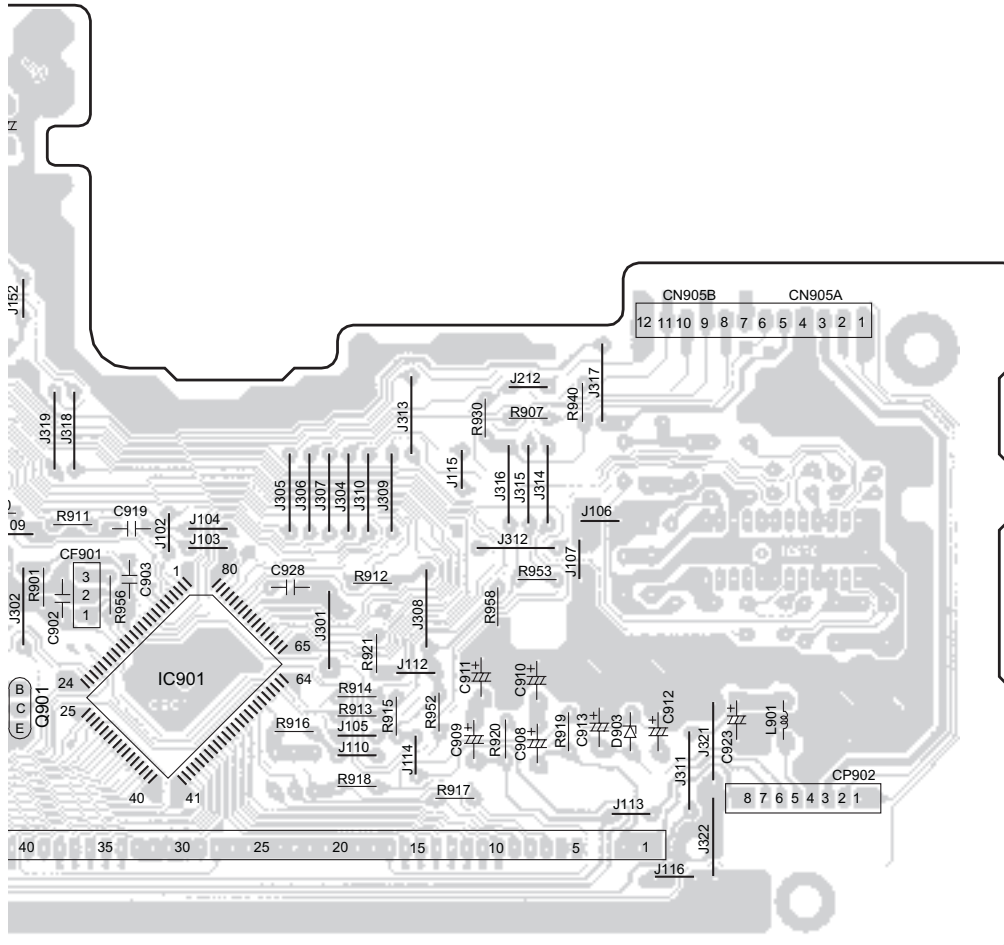
I

J

K

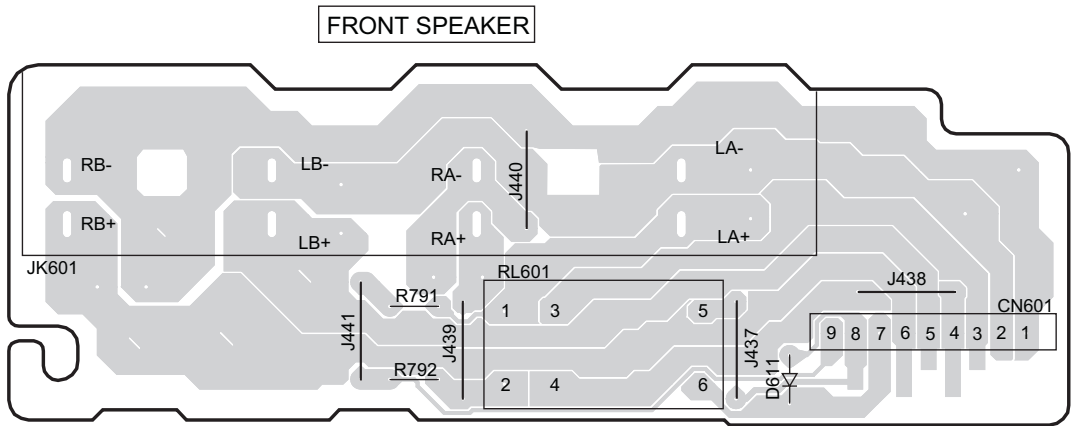
L

M

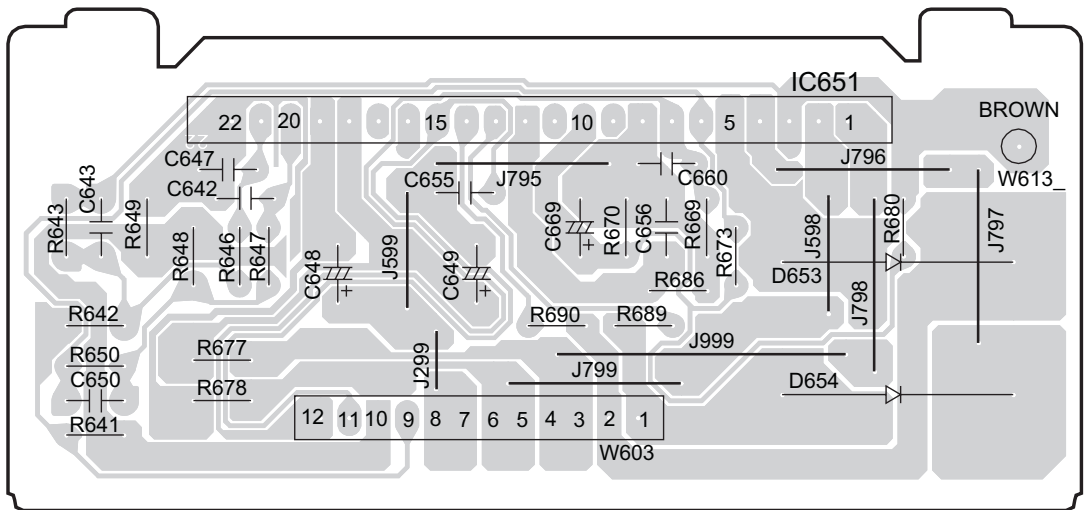


A B C D E F G

N SPEAKER TERMINAL P.C.B. (REP3021B-P)



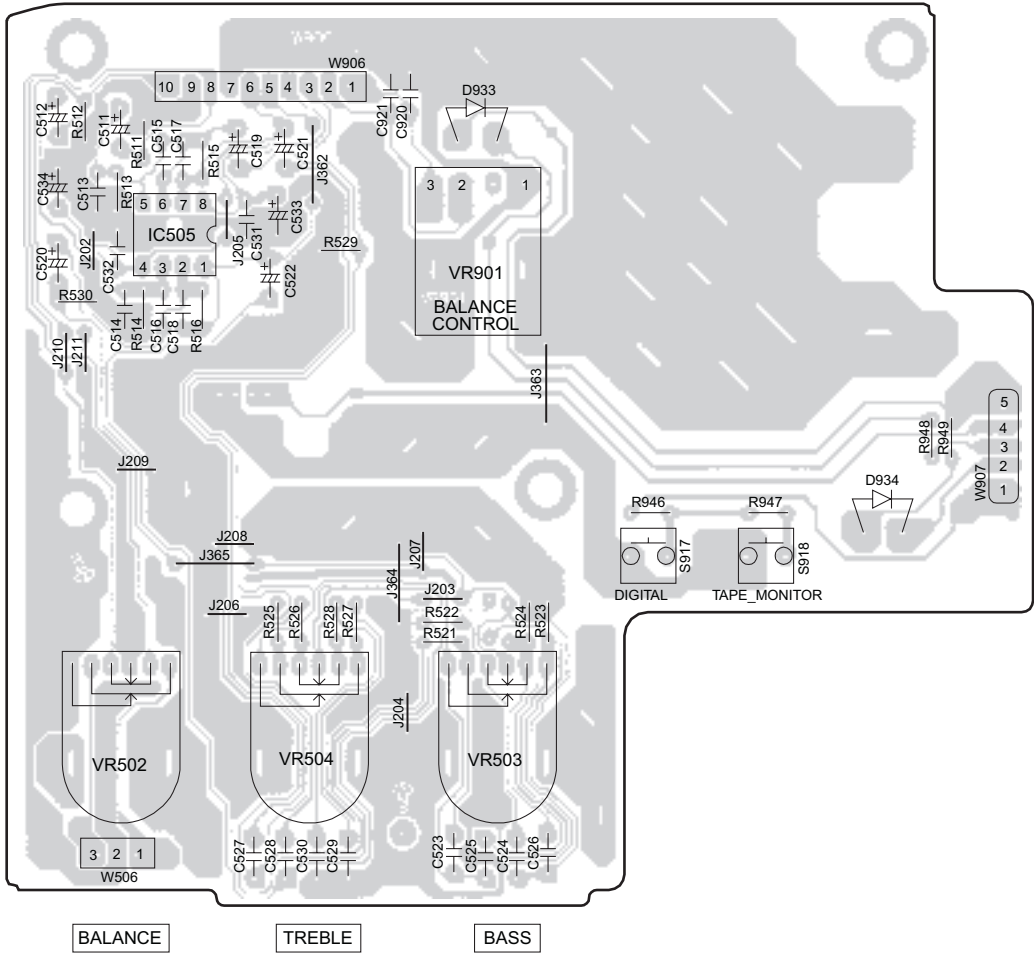
O POWER AMP P.C.B. (REP3019B-M)



A B C D E F G

1

H TONE P.C.B. (REP3020B-S)



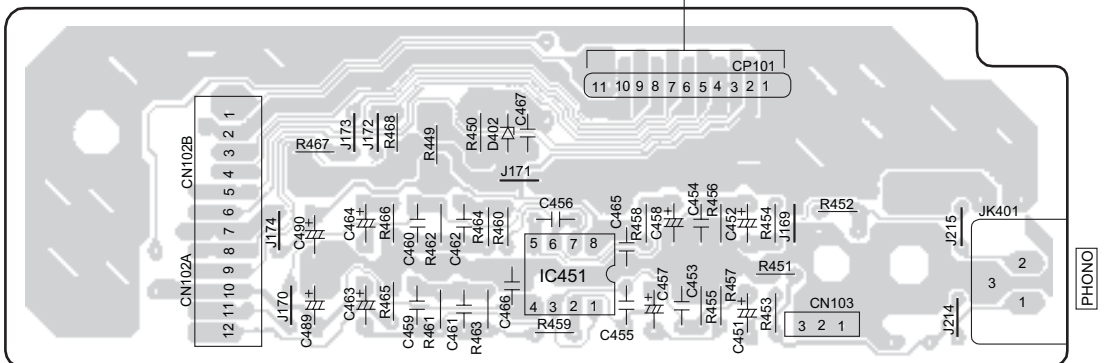
4

5

6

7

K PHONO P.C.B. (REP3020B-S)



8

9

R TUNER MODULE P.C.B. (RAN0001MM)

PHONO

A

B

C

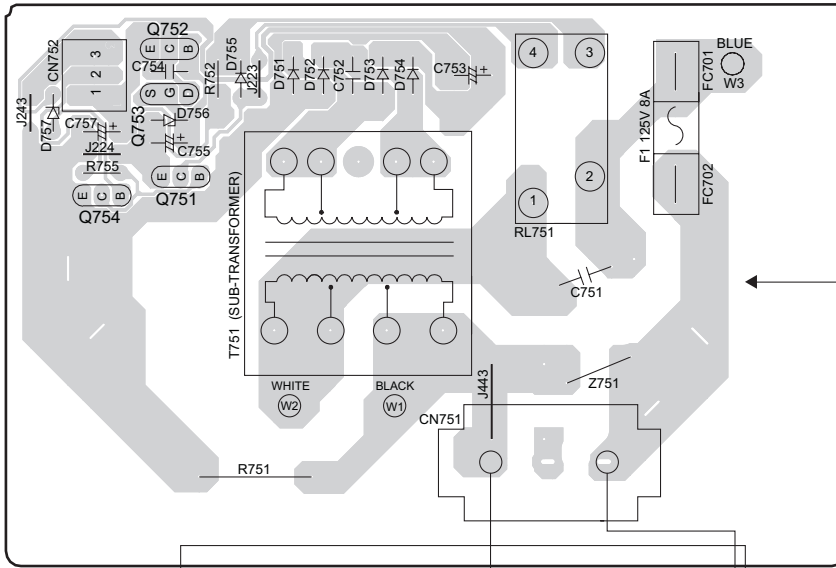
D

E

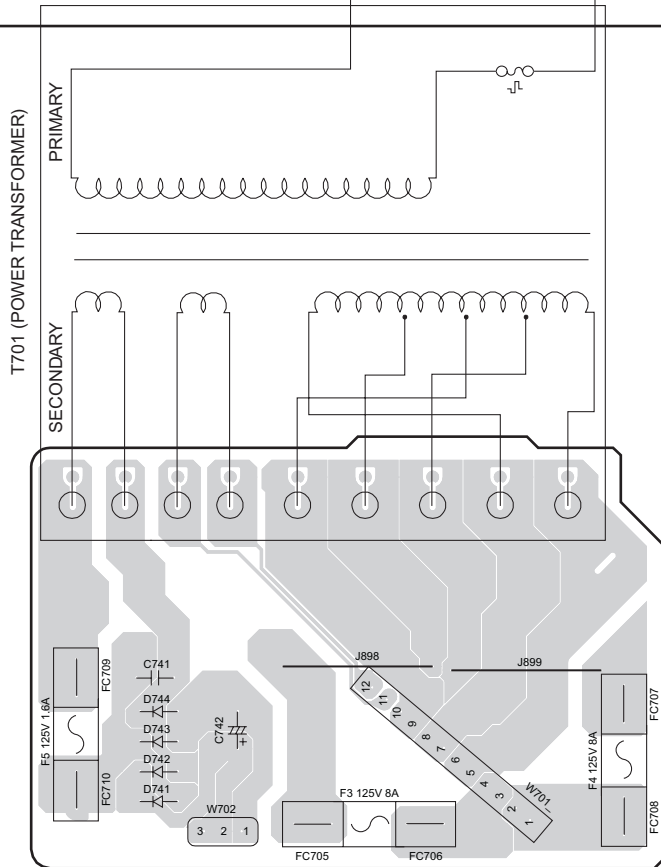
F

G

L POWER P.C.B. (REP3021B-P)



CAUTION
RISK ELECTRIC SHOCK
AC VOLTAGE LINE. PLEASE DO NOT
TOUCH THIS P.C.B.

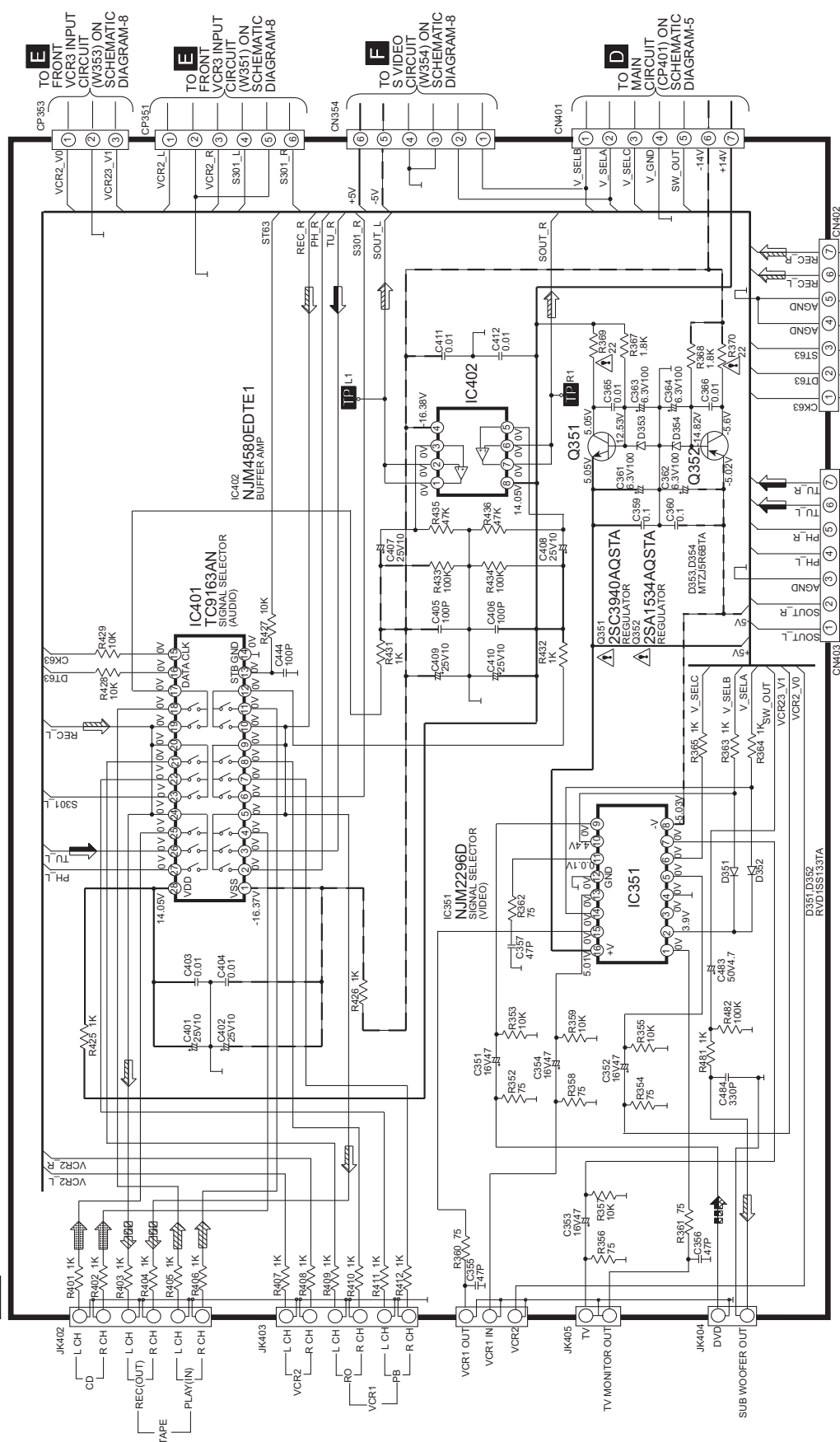


M TRANSFORMER P.C.B. (REP3019B-M)

SCHEMATIC DIAGRAM - 1

--- : + B SIGNAL LINE
 - - - : - B SIGNAL LINE
 ⇨ : MAIN SIGNAL LINE
 ⇨ : DVD VIDEO SIGNAL LINE
 ⇨ : CD SIGNAL LINE
 ⇨ : RECORD SIGNAL LINE
 ⇨ : PLAYBACK SIGNAL LINE

A INPUT SELECTOR CIRCUIT



TO MAIN CIRCUIT (CP403) ON SCHEMATIC DIAGRAM-5

TO MAIN CIRCUIT (CP402) ON SCHEMATIC DIAGRAM-5

TO FRONT VCR3 INPUT CIRCUIT (W353) ON SCHEMATIC DIAGRAM-8

TO FRONT VCR3 INPUT CIRCUIT (W351) ON SCHEMATIC DIAGRAM-8

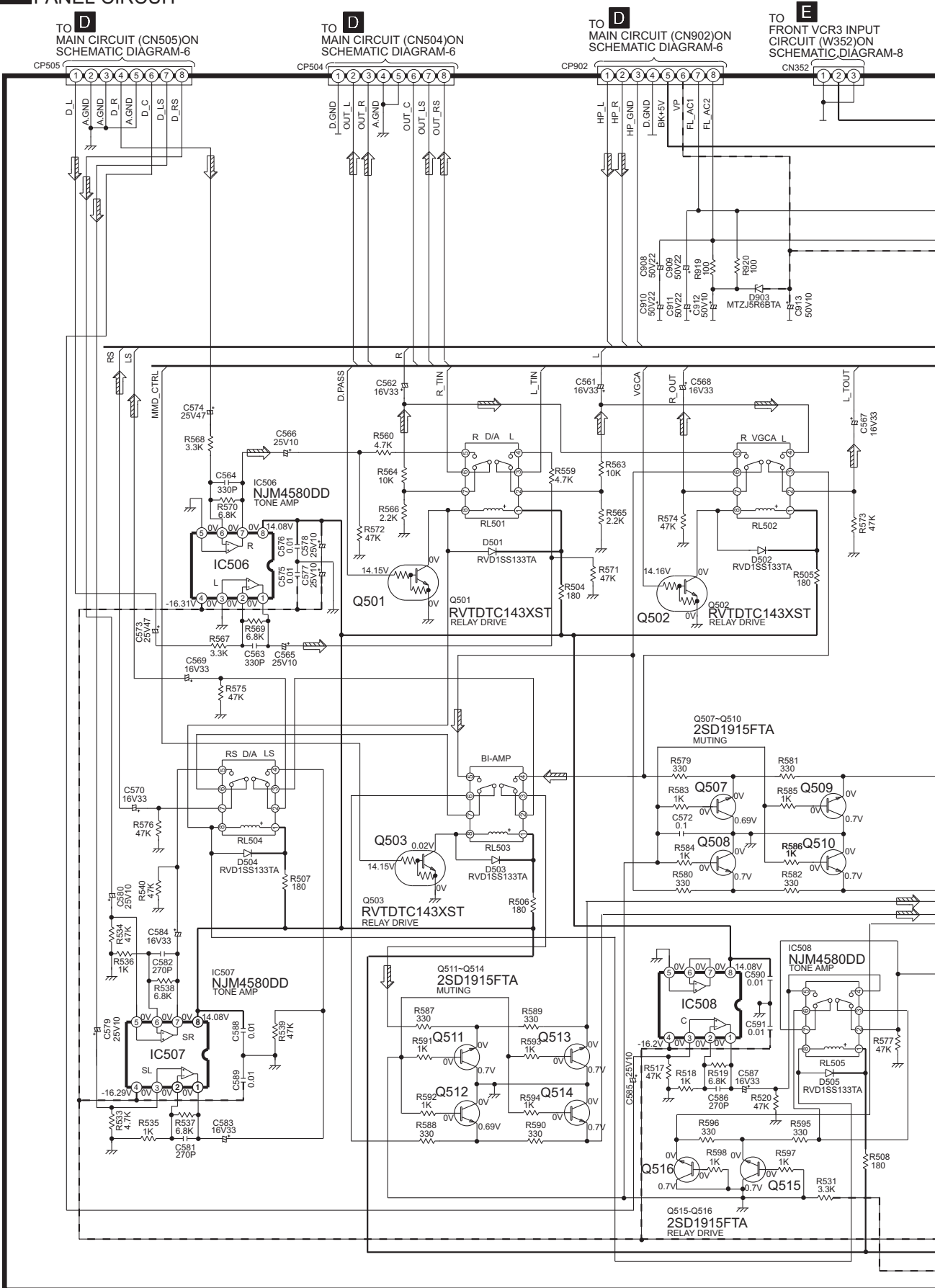
TO S VIDEO CIRCUIT (W354) ON SCHEMATIC DIAGRAM-8

TO MAIN CIRCUIT (CP401) ON SCHEMATIC DIAGRAM-5

SCHEMATIC DIAGRAM - 3

C PANEL CIRCUIT

— :+B SIGNAL LINE - - - : -B SIGNAL LINE ⇨ : MAIN SIGNAL LINE

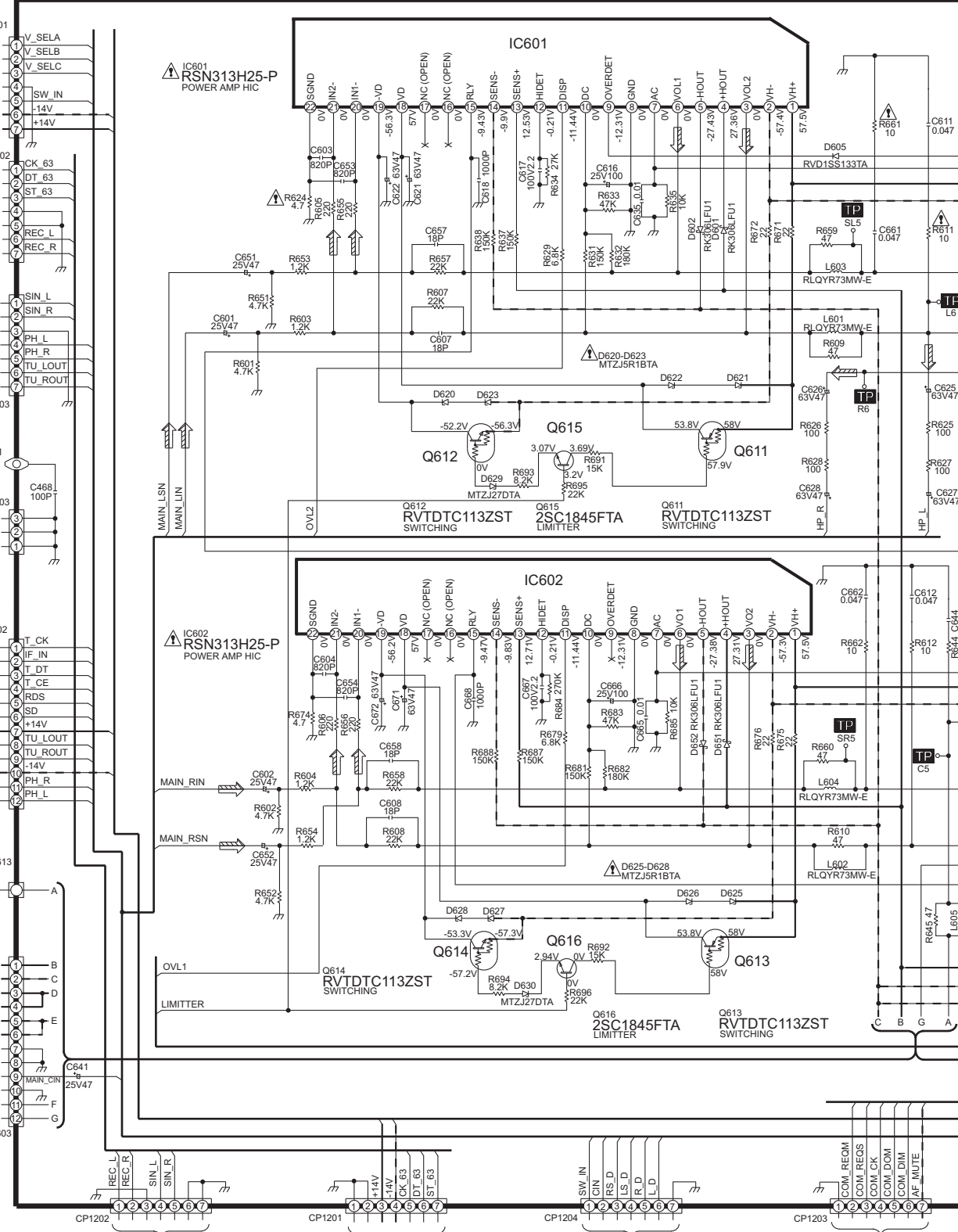


SCHEMATIC DIAGRAM - 5

D MAIN CIRCUIT

— :+B SIGNAL LINE - - - :B SIGNAL LINE ⇨ :MAIN SIGNAL LINE

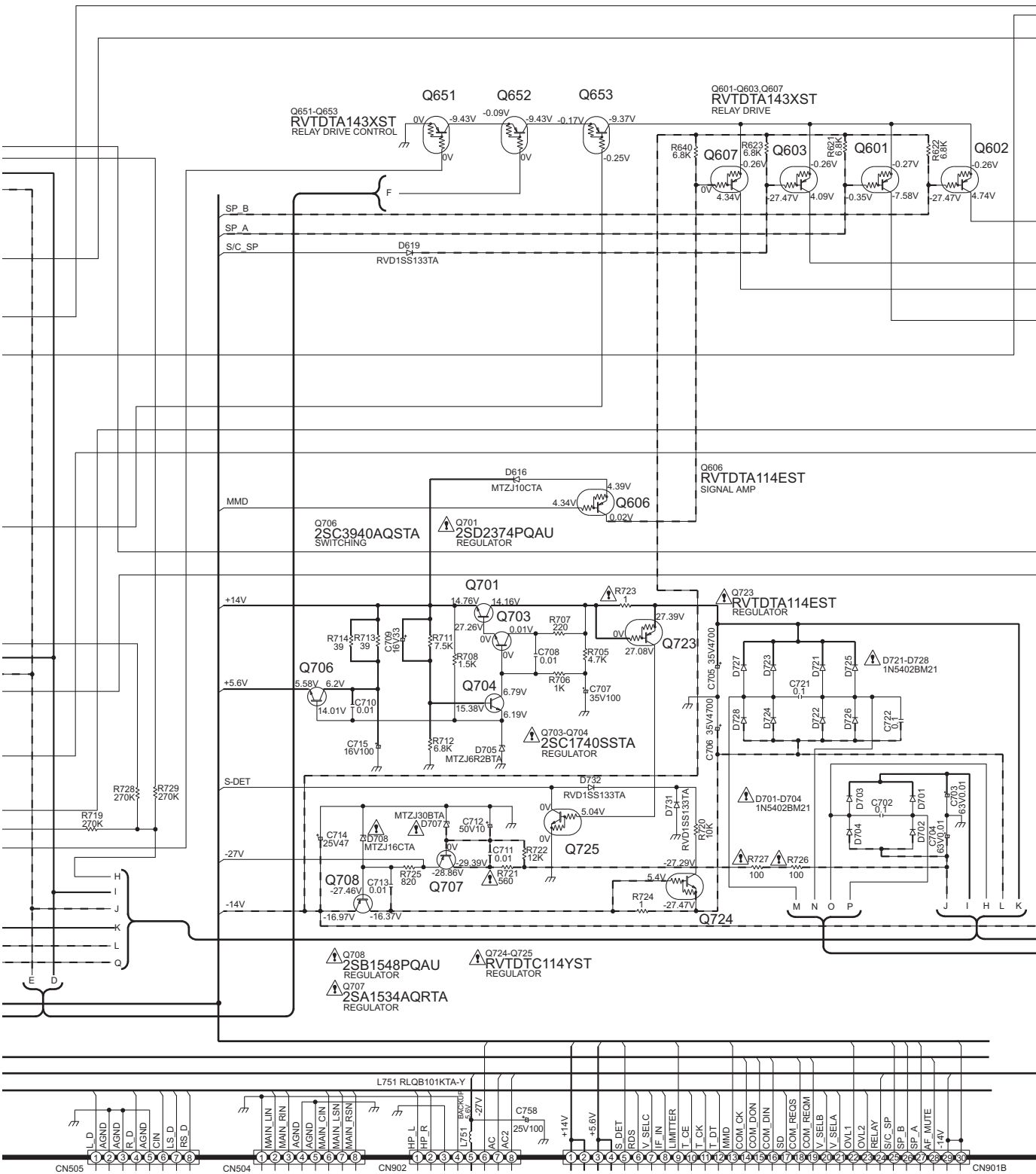
- A** TO INPUT SELECTOR CIRCUIT (CN401) ON SCHEMATIC DIAGRAM-1
- A** TO INPUT SELECTOR CIRCUIT (CN402) ON SCHEMATIC DIAGRAM-1
- A** TO INPUT SELECTOR CIRCUIT (CN403) ON SCHEMATIC DIAGRAM-1
- K** TO PHONO EQ CIRCUIT (CN103) ON SCHEMATIC DIAGRAM-10
- K** TO PHONO EQ CIRCUIT (CN102) ON SCHEMATIC DIAGRAM-10
- O** TO POWER AMP CIRCUIT (W613) ON SCHEMATIC DIAGRAM-11
- O** TO POWER AMP CIRCUIT (W603) ON SCHEMATIC DIAGRAM-11



- B** TO SURROUND CIRCUIT (CN1202) ON SCHEMATIC DIAGRAM-2
- B** TO SURROUND CIRCUIT (CN1201) ON SCHEMATIC DIAGRAM-2
- B** TO SURROUND CIRCUIT (CN1204) ON SCHEMATIC DIAGRAM-2
- B** TO SURROUND CIRCUIT (CN1203) ON SCHEMATIC DIAGRAM-2

SCHEMATIC DIAGRAM - 6

— :+B SIGNAL LINE - - - : -B SIGNAL LINE



TO PANEL CIRCUIT (CP505) ON SCHEMATIC DIAGRAM-3

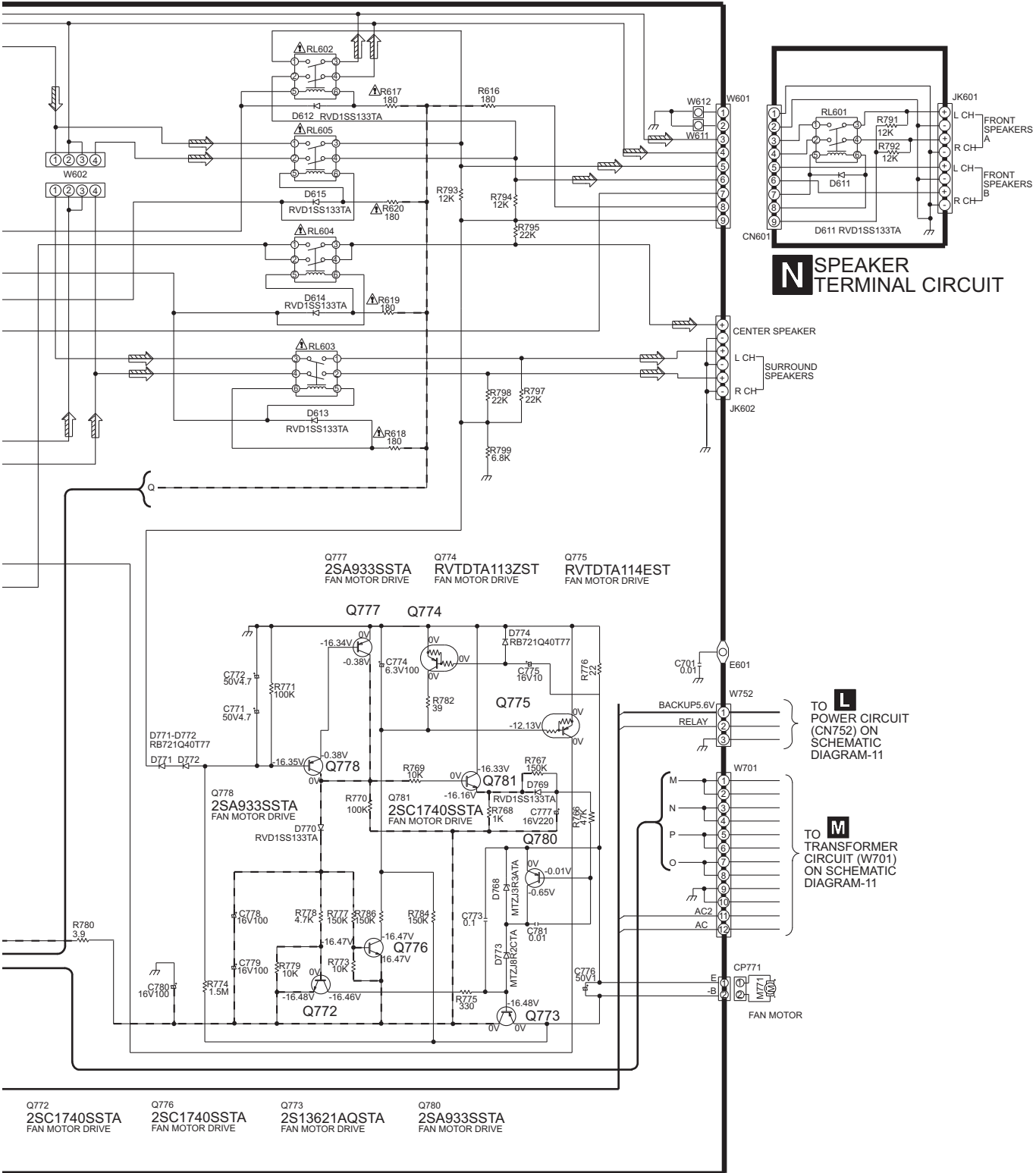
TO PANEL CIRCUIT (CP504) ON SCHEMATIC DIAGRAM-3

TO PANEL CIRCUIT (CP902) ON SCHEMATIC DIAGRAM-3

TO PANEL CIRCUIT (CN901A) ON SCHEMATIC DIAGRAM-4

SCHEMATIC DIAGRAM - 7

— :+B SIGNAL LINE - - - : -B SIGNAL LINE ⇨ : MAIN SIGNAL LINE



N SPEAKER TERMINAL CIRCUIT

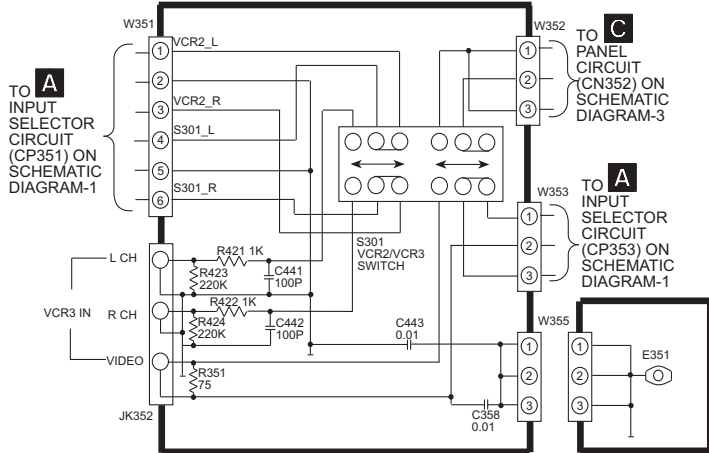
L TO POWER CIRCUIT (CN752) ON SCHEMATIC DIAGRAM-11

M TO TRANSFORMER CIRCUIT (W701) ON SCHEMATIC DIAGRAM-11

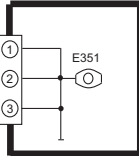
SCHEMATIC DIAGRAM -8

— :+B SIGNAL LINE - - -:B SIGNAL LINE

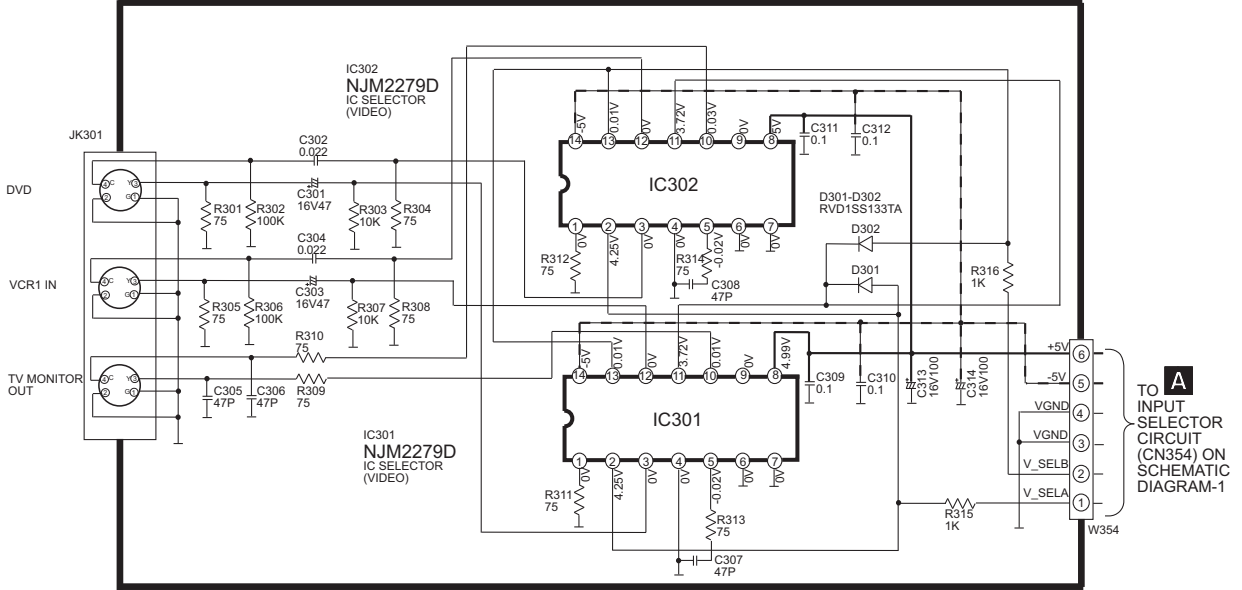
E FRONT VCR3 INPUT CIRCUIT



U EARTH TERMINAL CIRCUIT



F S VIDEO CIRCUIT

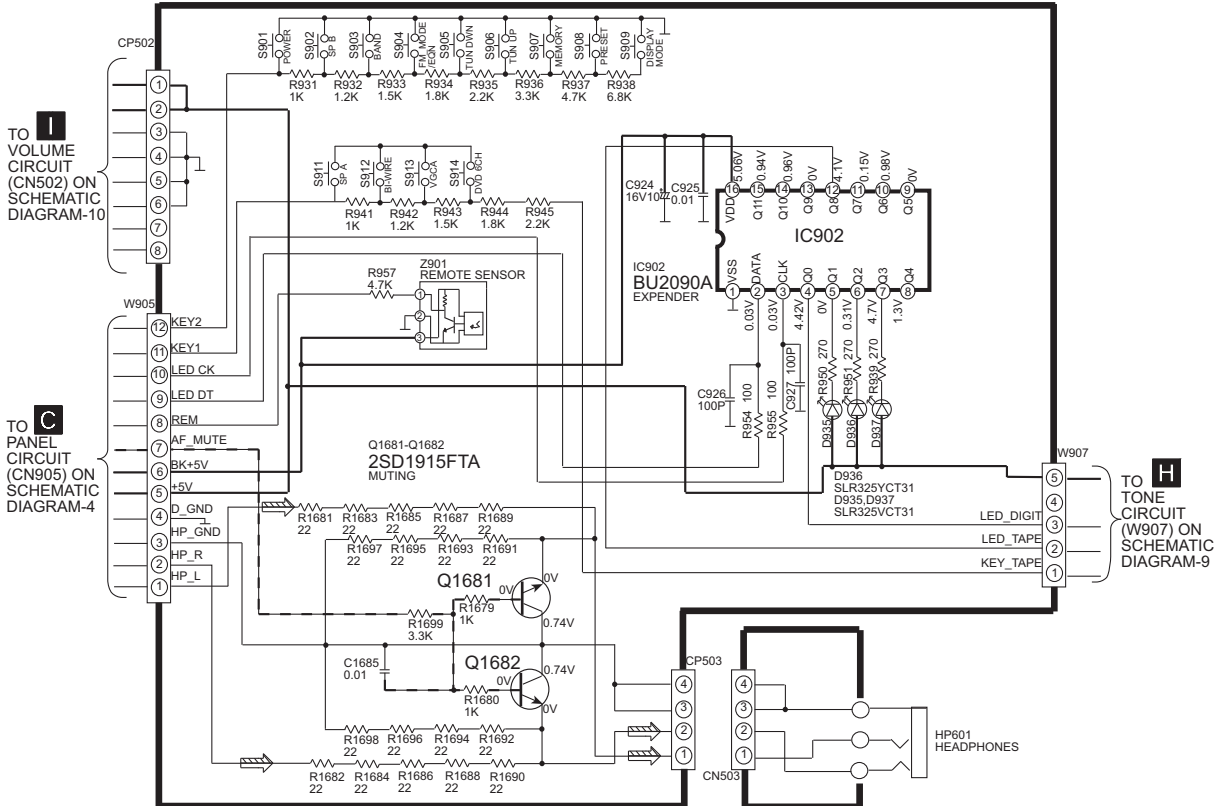


SCHEMATIC DIAGRAM - 9

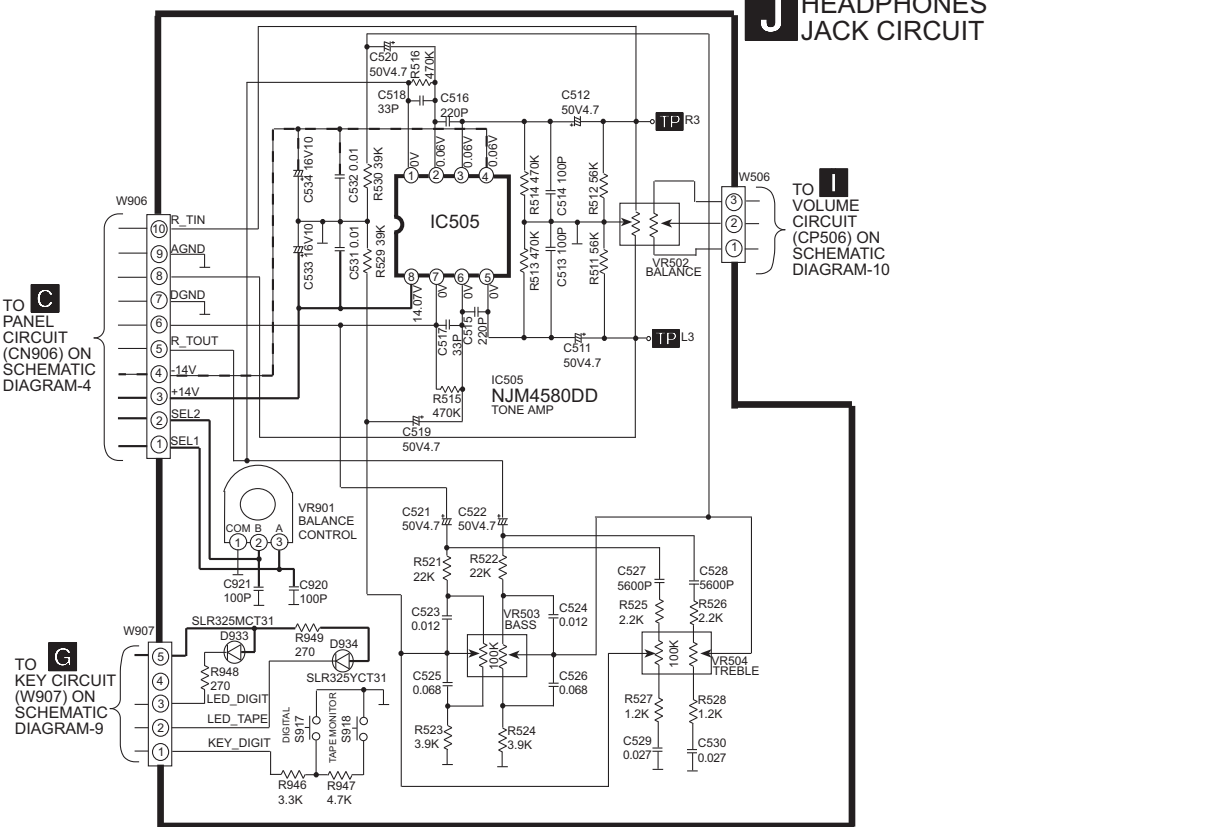
G

KEY CIRCUIT

— :+B SIGNAL LINE - - : -B SIGNAL LINE ⇨ : MAIN SIGNAL LINE



J HEADPHONES JACK CIRCUIT



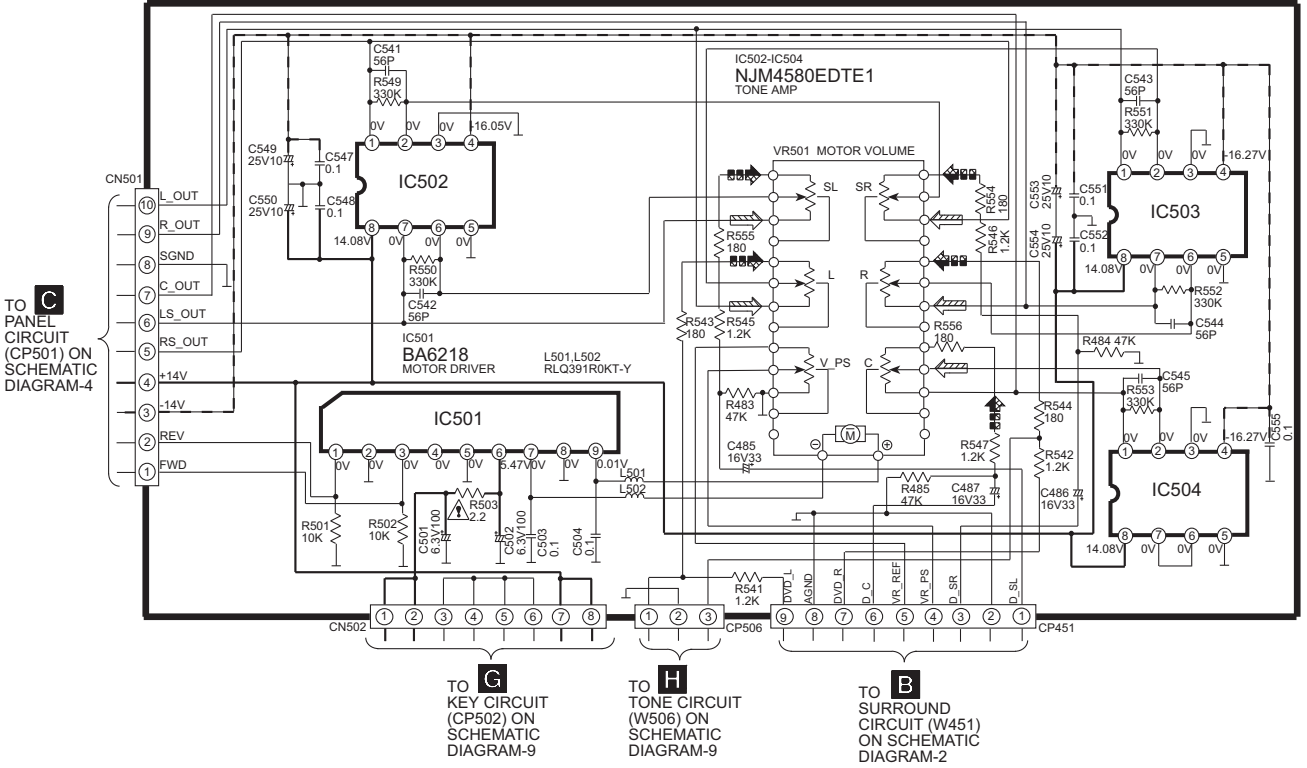
H

TONE CIRCUIT

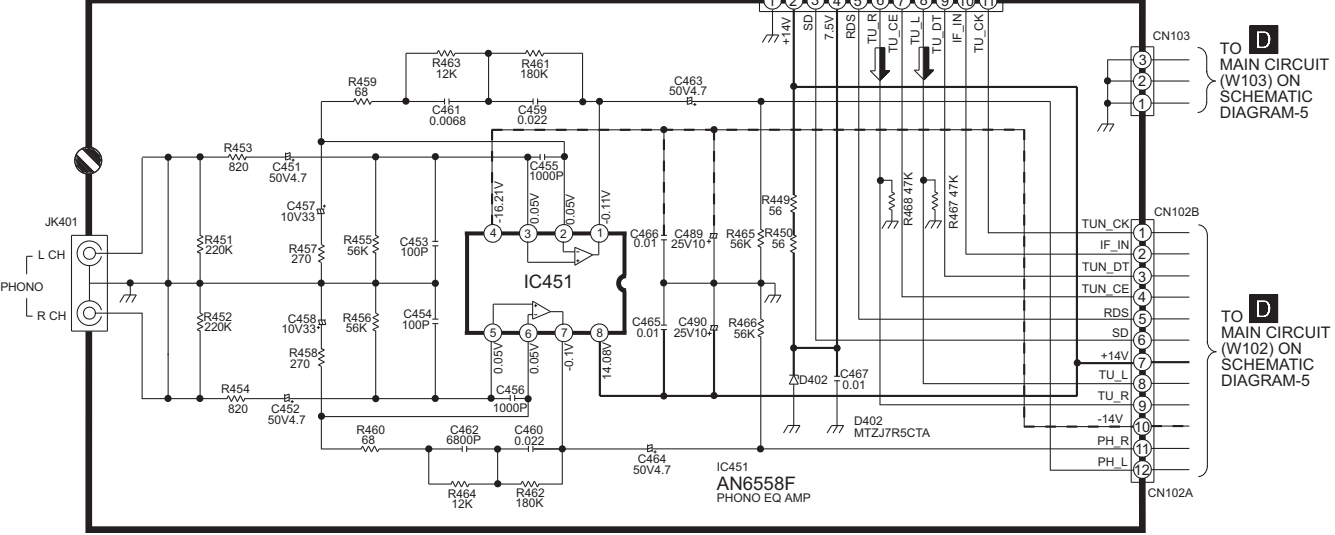
SCHEMATIC DIAGRAM - 10

- : +B SIGNAL LINE
- - - : -B SIGNAL LINE
- ⇒ : MAIN SIGNAL LINE
- ⇒ : FM/AM SIGNAL LINE
- ⇒ : DVD AUDIO/VIDEO SIGNAL LINE

I VOLUME CIRCUIT



K PHONO EQ CIRCUIT

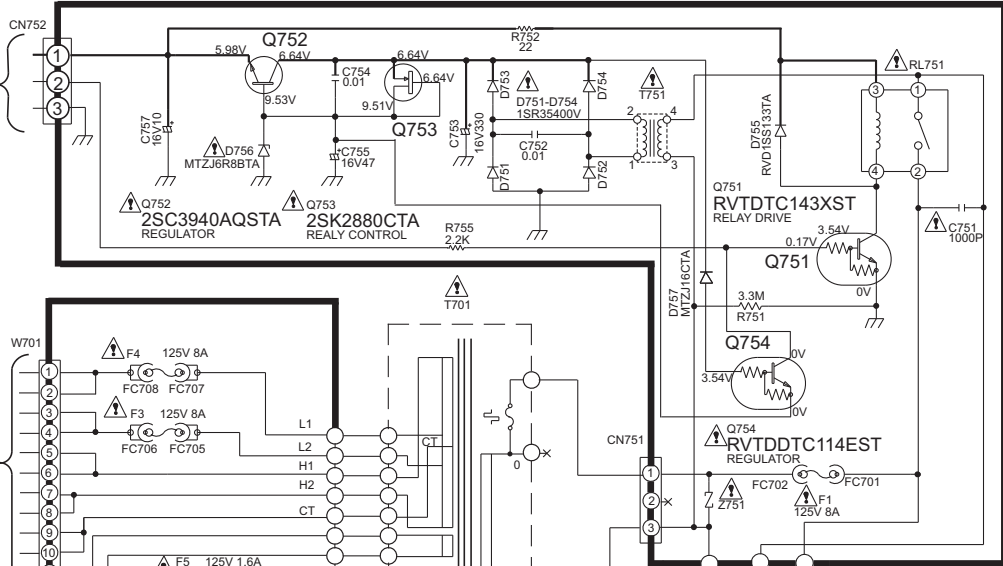


SCHEMATIC DIAGRAM - 11

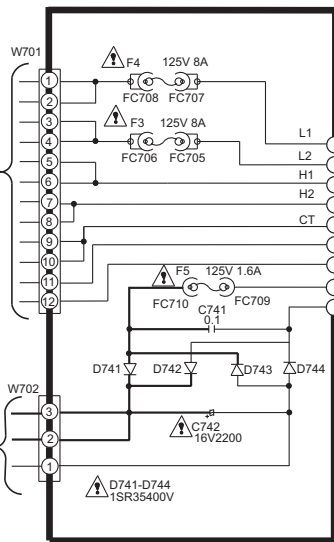
— :+B SIGNAL LINE - - : -B SIGNAL LINE ⇨ : MAIN SIGNAL LINE

L POWER CIRCUIT

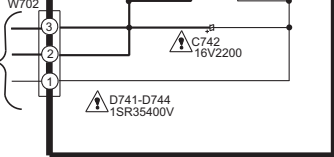
TO MAIN CIRCUIT (W752) ON SCHEMATIC DIAGRAM-7



TO MAIN CIRCUIT (W701) ON SCHEMATIC DIAGRAM-7



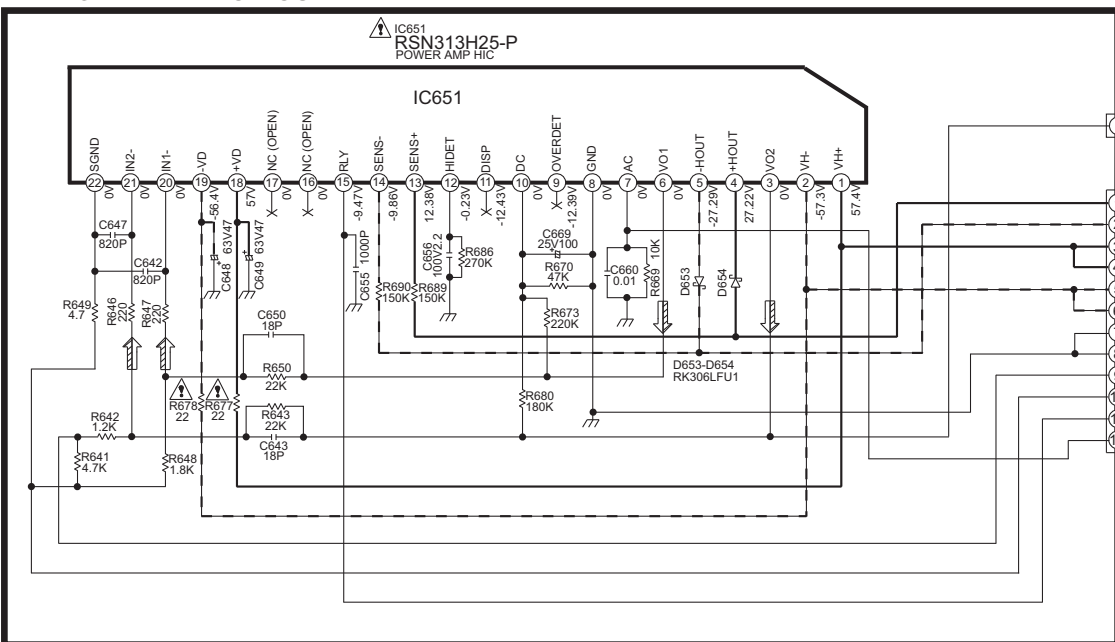
TO SURROUND CIRCUIT (CN702) ON SCHEMATIC DIAGRAM-2



M TRANSFORMER CIRCUIT

Q AC IN/OUT CIRCUIT

O POWER AMP CIRCUIT

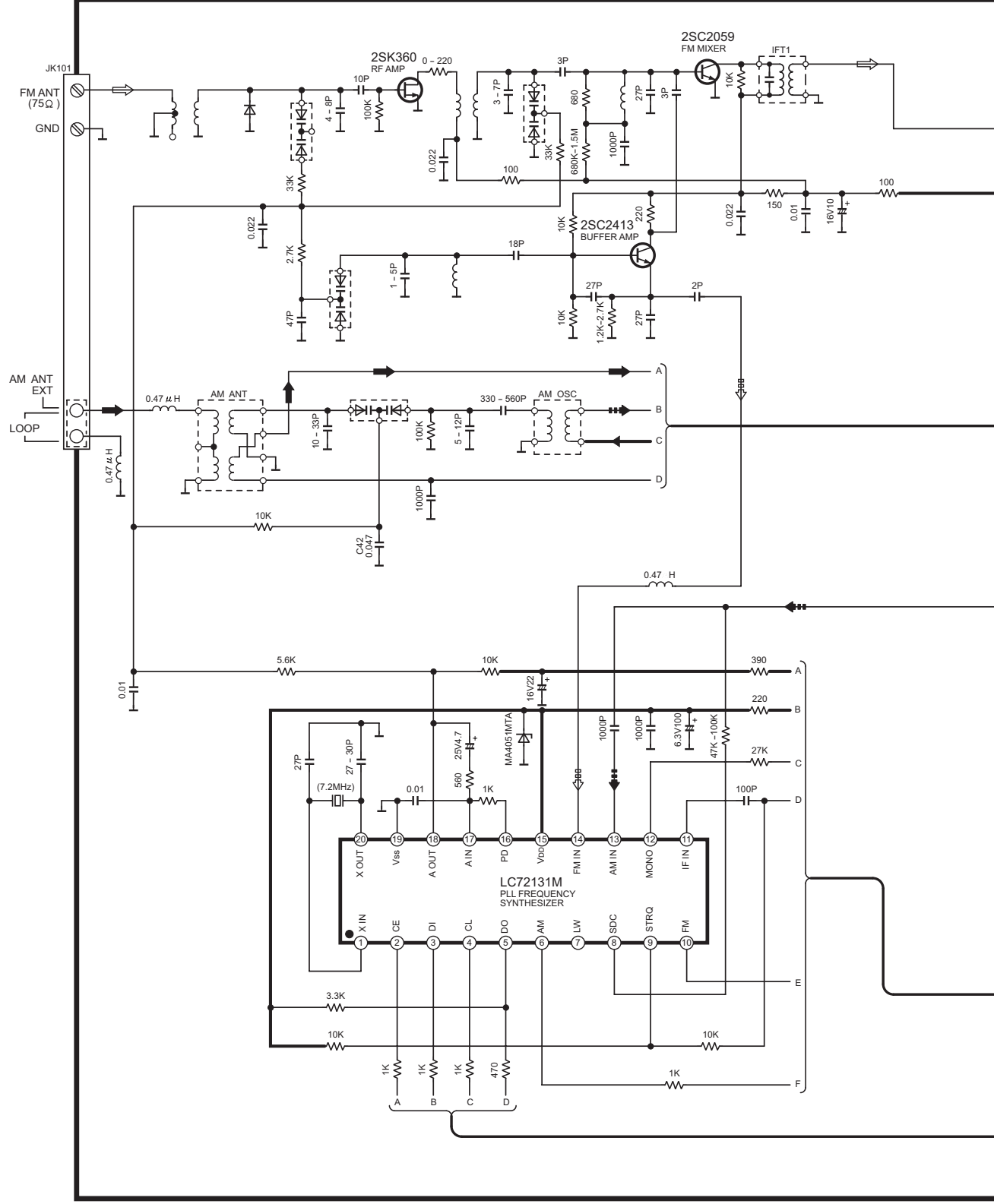


TO MAIN CIRCUIT (W613) ON SCHEMATIC DIAGRAM-5

TO MAIN CIRCUIT (CP603) ON SCHEMATIC DIAGRAM-5

SCHEMATIC DIAGRAM-12

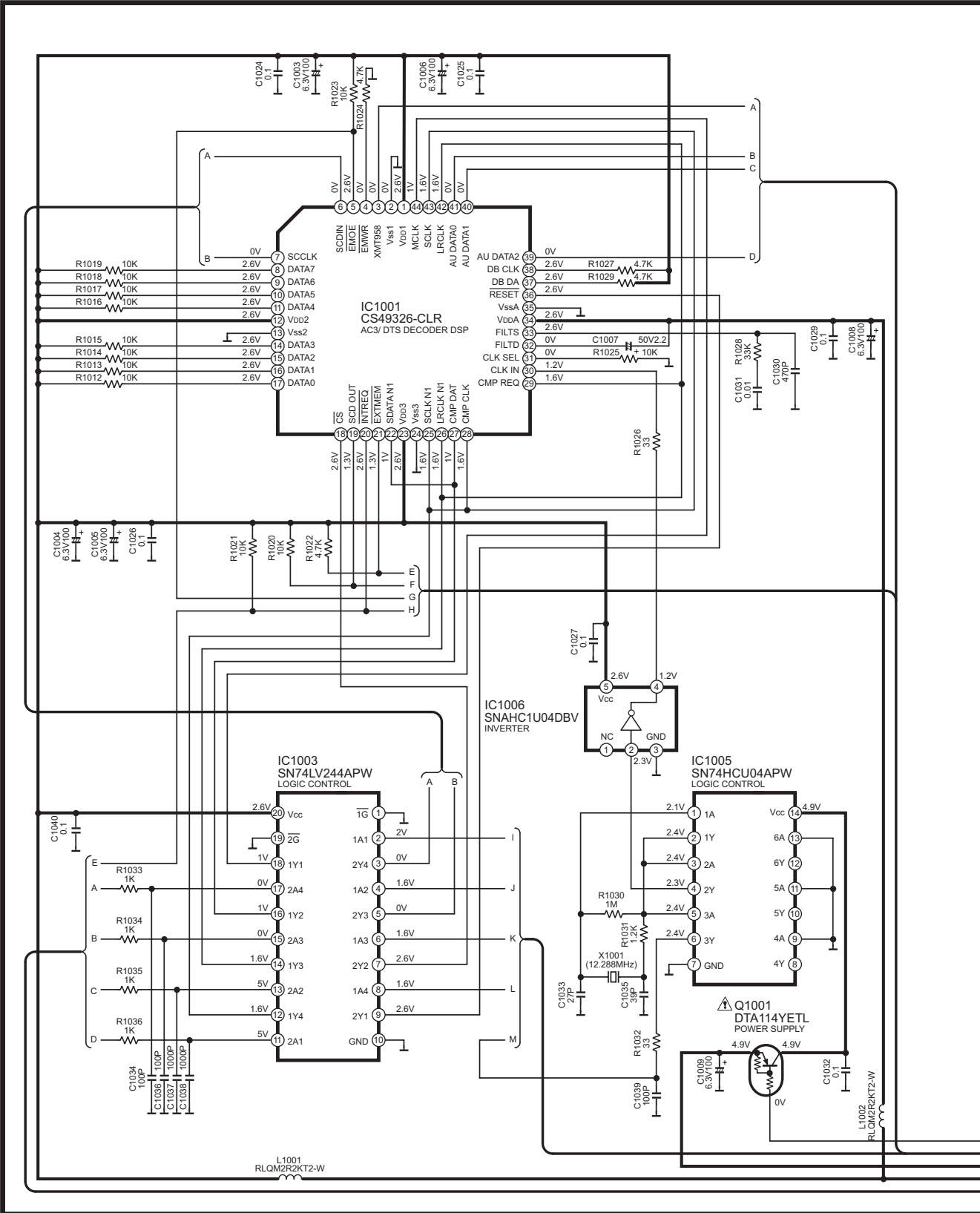
R Z101 TUNER UNIT (RAN0001MM) ——— : B SIGNAL LINE
 ⇨ : FM SIGNAL LINE ⇨ : AM SIGNAL LINE
 ⇨⇨ : FM OSC SIGNAL LINE ⇨⇨ : AM OSC SIGNAL LINE



SCHEMATIC DIAGRAM - 13

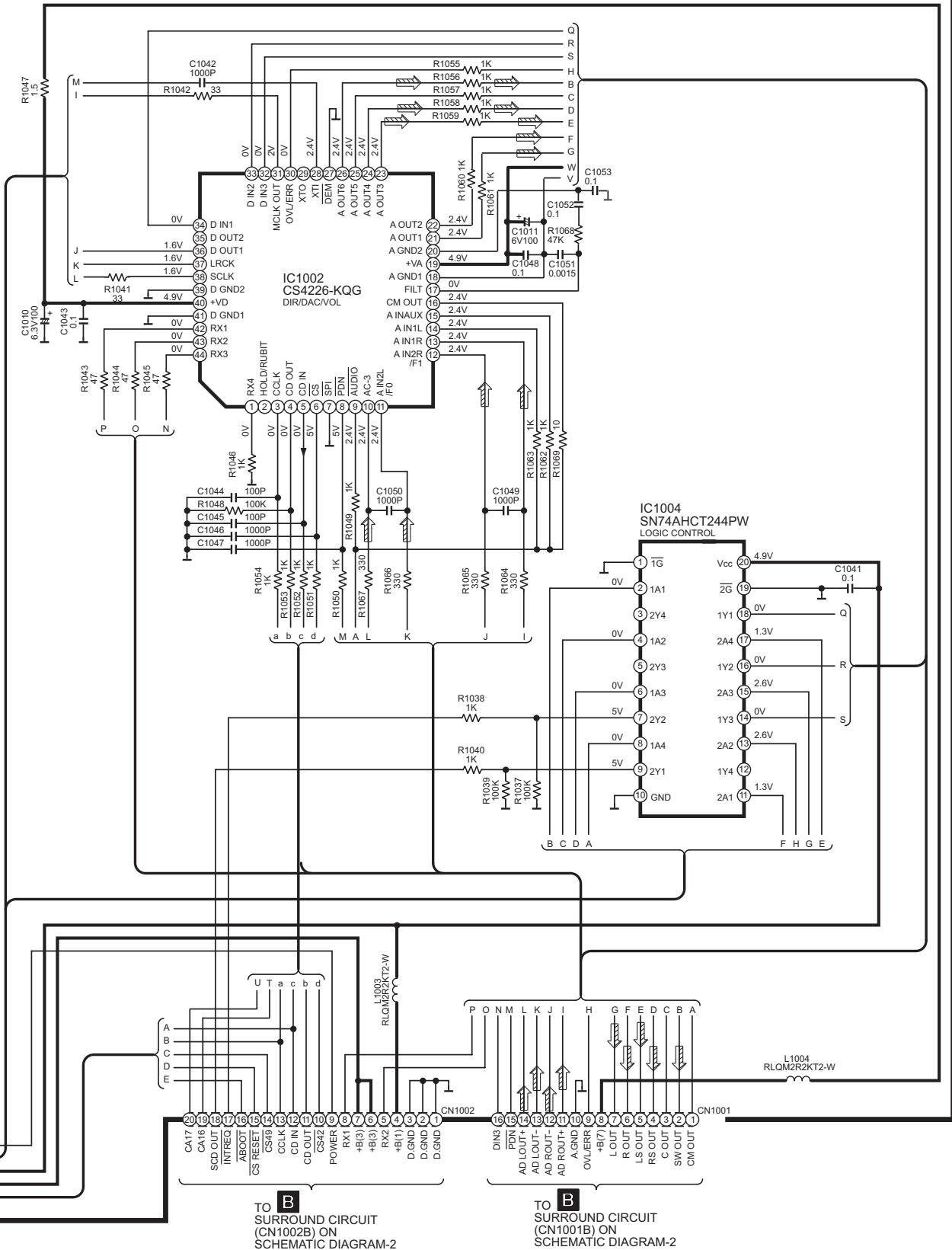
P DTS CIRCUIT

— : +B SIGNAL LINE



SCHEMATIC DIAGRAM - 14

— : +B SIGNAL LINE ⇨ : MAIN SIGNAL LINE



TO **B** SURROUND CIRCUIT (CN1002B) ON SCHEMATIC DIAGRAM-2

TO **B** SURROUND CIRCUIT (CN1001B) ON SCHEMATIC DIAGRAM-2